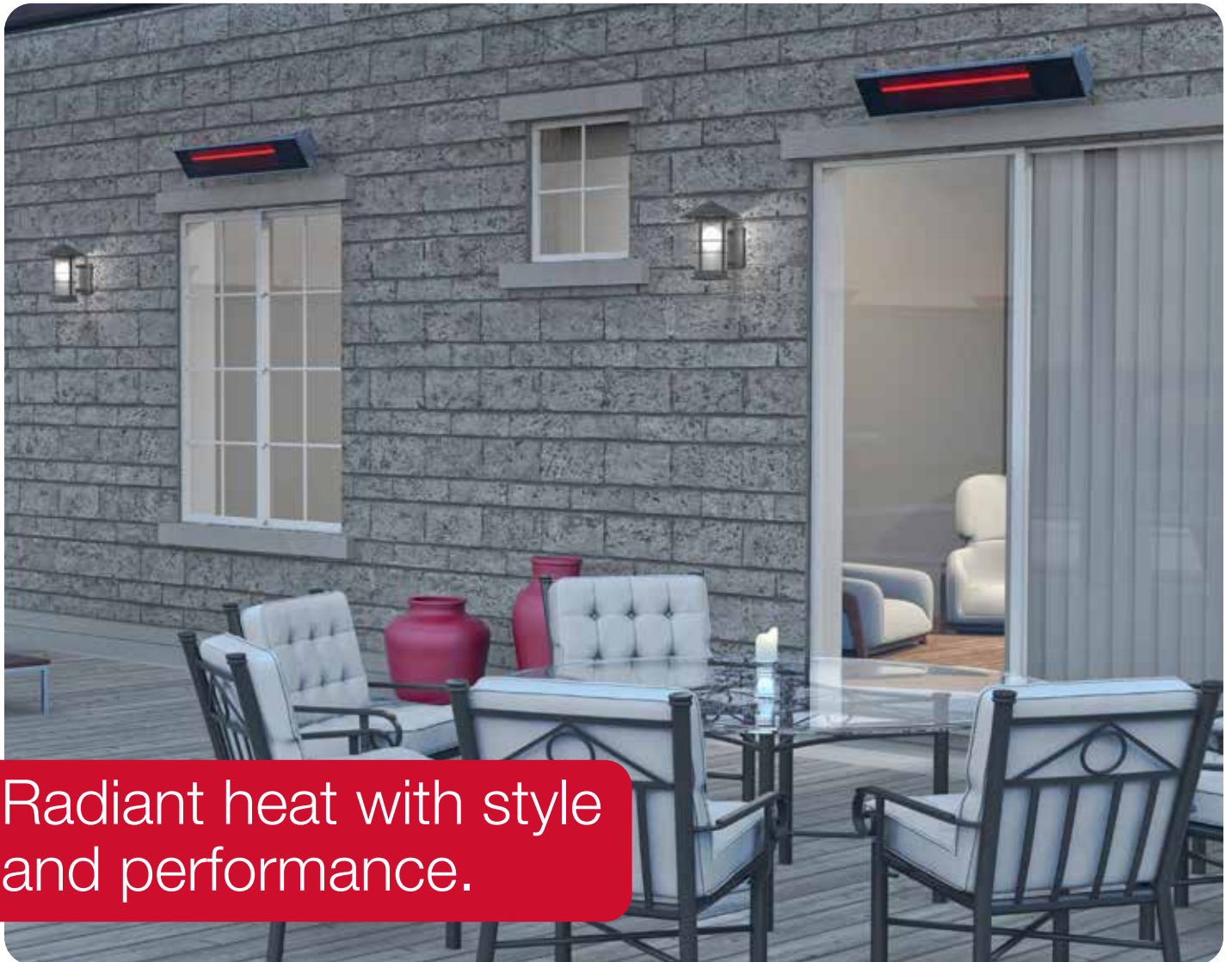




Electric Infrared Heater

Indoor/Outdoor Infrared Heater

DIR Series



Radiant heat with style
and performance.

The precision-engineered Ceramic Glass Infrared Heater provides premium performance that heats as beautifully as it looks. Schott Nextrema® ceramic tinted glass combines high-temperature, thermal shock and chemical resistance, excellent infrared transmission, non-porous surface and attractive design. And with full heating power available in under 6 seconds, you can go from cold to comfortable with a quick touch of the remote control.



Electric Infrared Heater

Indoor/Outdoor Infrared Heater

DIR Series

Surface Installation



Features

Schott Nextrema® Glass

Schott Nextrema® glass combines high-temperature, thermal shock and chemical resistance, excellent infrared transmission, non-porous surface and attractive design

Instant Heat

Ruby halogen bulb provides full power in under 6 seconds

Waterproof

IP65 rated for outdoor or indoor use

Corrosion Resistant

Anodized aluminum casing provides long life

Durable

Up to 5,000 hours of running life

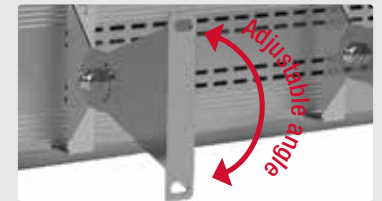
Installation Options

Includes pivoting mounting bracket

Hardware Connection

Designed for permanent installations on a dedicated circuit

Adjustable Angle



Remote control included

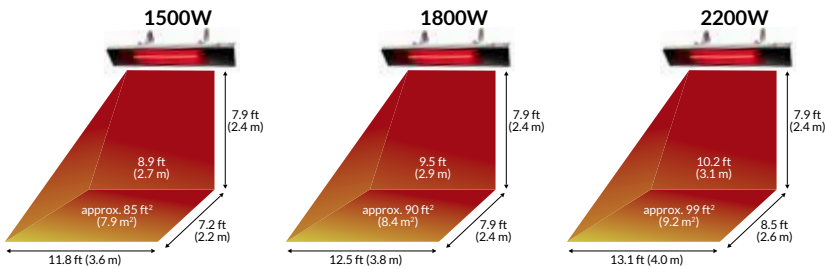
Automatic Shutoff

Unit has safety mechanism that automatically shuts off power to the unit after 8 hours of operation

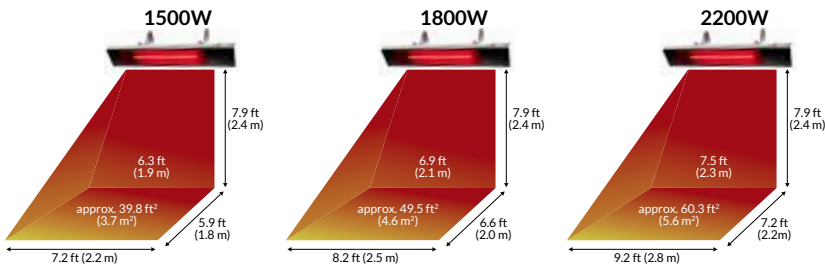
Ease of Installation

Each heater comes with the element pre-installed, which eases in installation and reduces the risk of damaged, broken or misplaced elements upon delivery

Indoor heating area wall-mounted



Outdoor heating area wall-mounted



Model #	Description	Mounting	UPC	Watts	Volts	Warranty [†]	Product Dimensions (WxHxD)	
							Inches	cm
DIR22A10GR	Infrared Ceramic Glass Heater	Wall, Surface Only	781052 123557	2200	240	1 yr.	35-1/2 x 6-3/4 x 3	90.2 x 17.0 x 7.6
DIR18A10GR	Infrared Ceramic Glass Heater	Wall, Ceiling, Surface Only	781052 123533	1800	240	1 yr.		
DIR15A10GR	Infrared Ceramic Glass Heater	Wall, Ceiling, Surface Only	781052 123526	1500	120	1 yr.		

Specifications, finishes and dimensions are subject to change. [†]Limited warranty. ©2020 Glen Dimplex Americas

SE-363-R08-0060120

INDOOR/OUTDOOR INFRARED HEATER

The Dimplex DIR series heaters are perfect for homeowners, business owners, landlords, designers or builders looking to enhance an outdoor entertaining space with a premium comfort product that is complimentary to modern design.

BENEFITS

- IP65 rating for indoor and outdoor applications
- Nextrema Schott glass ensures even heat distribution and minimizes light emissions
- 3 temperature settings - 1000W [low], 2000W [med], 3000W[high]
- 1, 2 and 3 hour delay timer
- 8 hour auto shutoff safety mechanism
- 6 second maximum heat up time
- Corrosion resistant anodized aluminum and 304 stainless steel makes this product suitable for all climates
- Programmable timer and remote control for ease of operation
- 240V hard-wired installation provides up to 3000 (3 kw) of powerful heating
- Each heater comes with the element(s) pre-installed, which eases in installation and reduces the risk of damaged, broken or misplaced elements upon delivery



APPLICATIONS

Patios | Balconies | Outdoor Living Spaces | Sunroom | Gazebos | Common Areas

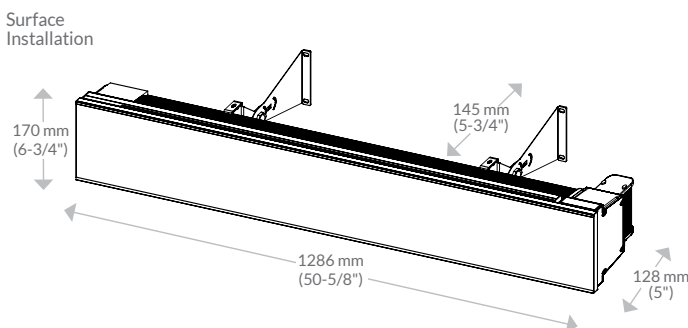
SPECIFICATIONS

Voltage	240V
Wattage	1000 - 3000
Color	Stainless Steel
Finish	Glass - Nextrema Schott
Heating Element	Ruby halogen heating element(s)
Construction	Stainless Steel (304)
Controls & Wiring	Hardwire installation only. Unit has an auto shut off feature after 8 hours of operation
Installation	Surface-mount brackets included for wall
Warranty	1-year replacement parts

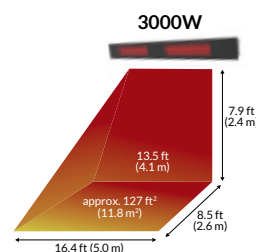
ORDERING GUIDE

Cat. No.	Installation	Watts	Volts	Weight (kg/lbs.)
DIR30A10GR	Wall-mounting only	3000	240	8.4 / 18.4

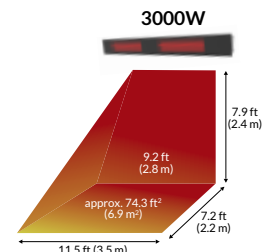
DIMENSIONS (DIR30A10GR)



Indoor heating area wall-mounted



Outdoor heating area wall-mounted



INDOOR/OUTDOOR INFRARED HEATER

The Dimplex DSH series heaters are ideal for use in low lighting environments like restaurants and outdoor entertaining spaces. Reaching maximum heat in less than 3 seconds, this product provides premium comfort, while mirroring the quality of interior décor, outdoors.

BENEFITS

- IP65 rating for indoor and outdoor applications
- 1, 2 and 3 hour delay timer
- 8 hour auto shutoff safety mechanism
- 3 second maximum heat up time
- 3 temperature settings - 1000W [low], 1500W [med], 2000W [high]
- Corrosion resistant anodized aluminum and 304 stainless steel makes this product suitable for all climates
- Multiple heaters can be controlled with a single remote. Remote control included
- Each heater comes with the element pre-installed, which eases in installation and reduces the risk of damaged, broken or misplaced elements upon delivery

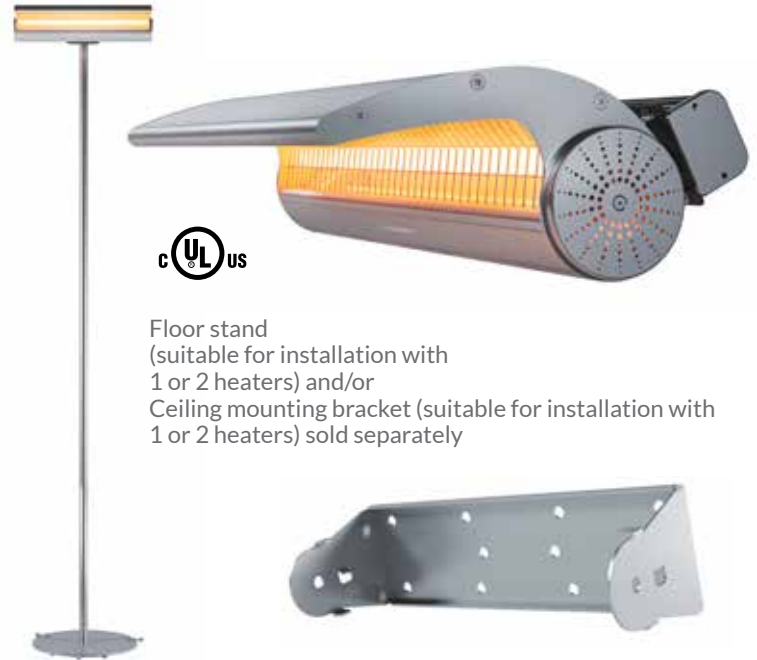
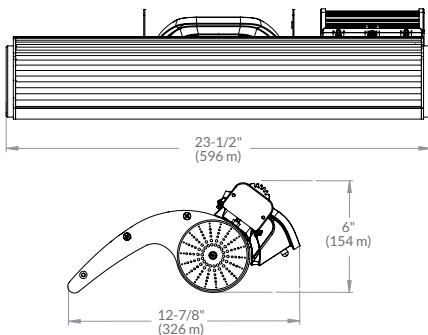
APPLICATIONS

Patios | Balconies | Outdoor Living Spaces | Sunroom | Gazebos | Common Areas

SPECIFICATIONS

Voltage	240V
Wattage	1000 - 2000
Color	Stainless Steel
Finish	Aluminum
Heating Element	Golden tube heating element
Construction	Stainless Steel (304)
Controls & Wiring	Hardwire installation only. Unit has an auto shut off feature after 8 hours of operation
Installation	Surface-mount brackets included for wall installations
Warranty	1-year replacement parts

DIMENSIONS



Floor stand (suitable for installation with 1 or 2 heaters) and/or Ceiling mounting bracket (suitable for installation with 1 or 2 heaters) sold separately

ORDERING GUIDE

Cat. No.	Installation	Watts	Volts	Weight (kg/lbs.)
DSH20W	Wall-mounted IR Heater	2000	240	5.3 / 11.7
DSHSTAND	Permanent Location Floor Stand			20.0 / 44.1
DSHCMB	Ceiling-mount bracket			2.2 / 4.8

